

SACC-M12FR-5SC


Order No.: 1508255



<http://catalog.phoenixcontact.net/phoenix/treeViewClick.do?UID=1508255>

Sensor/actuator connector, female, angled, 5-pos., M12, A-coded, spring-cage connection, plastic knurl, cable cross section max. 8 mm

Commercial data

EAN	 4 017918 946005
sales group	D121
Pack	1 Pcs.
Customs tariff	85366990
Catalog page information	Page 33 (PC-2007)

Product notes

WEEE/RoHS-compliant since:
06/01/2005



<http://www.download.phoenixcontact.com>
Please note that the data given here has been taken from the online catalog. For comprehensive information and data, please refer to the user documentation. The General Terms and Conditions of Use apply to Internet downloads.

Technical data

General data

Rated current at 40°C	4 A
Rated voltage	60 V
Number of positions	5
Volume resistance	≤ 8 mΩ
Insulation resistance	≥ 100 MΩ

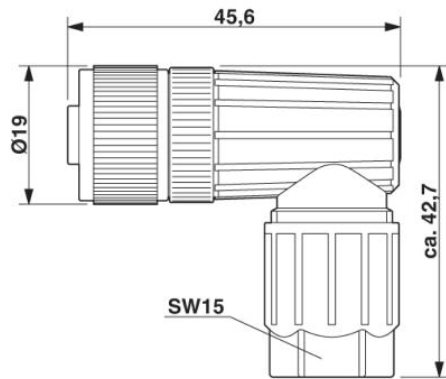
Ambient temperature (operation)	-40 °C ... 85 °C (Male connector / female connector)
General characteristics	
Coding	A - standard
Surge voltage category	II
Pollution degree	3
Degree of protection	IP65
Torque	0.4 Nm (M12 knurl)
	0.4 Nm (Connector with coupling sleeve)
	1.5 Nm (Pressure nut with coupling sleeve)
Contact material	CuSn
Contact surface material	Ni/Au
Contact carrier material	PA 66
Material of grip body	PA 66
Material, knurls	Plastic
Sealing material	Neoprene
Connection method	Spring-cage conn.
Conductor cross section	0.14 mm ² ... 0.5 mm ²
AWG conductor cross section	26 ... 20
Assembly instructions	The connector pin assignment can be rotated 45° to the cable outlet
External cable diameter	4 mm ... 8 mm
Status display	No
Stripping length of the sheath	35 mm
Stripping length of the individual wire	10 mm

Certificates / Approvals

Certification	CUL, UL
---------------	---------

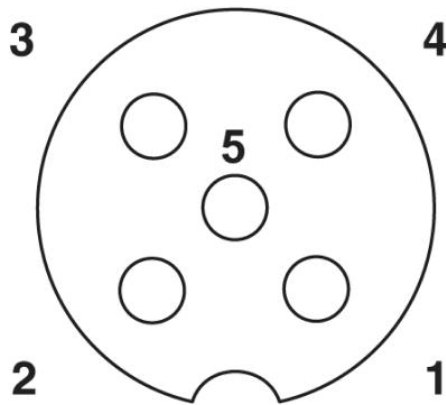
Drawings

Dimensioned drawing



M12 x 1 female connector, angled

Schematic diagram



Pin assignment M12 socket, 5-pos., A-coded, socket side view

Connection data incl. use groups



Address

PHOENIX CONTACT Deutschland GmbH
Flachmarktstr. 8
32825 Blomberg, Germany
Phone +49 5235 3 12000
Fax +49 5235 3 41200
<http://www.phoenixcontact.de>



© 2012 Phoenix Contact
Technical modifications reserved;