


## HC-D 7-TFL-48/O1M20S

Order No.: 1604891

<http://catalog.phoenixcontact.net/phoenix/treeViewClick.do?UID=1604891>

HEAVYCON sleeve housing D7, for single locking latch, height 48 mm, with gland, lateral cable outlet, zinc die-cast

### Commercial data

EAN	 4 017918 881474
sales group	D011
Pack	10 Pcs.
Customs tariff	85389099
Gross weight in pieces	0.06193 KG
Net weight per piece	0.06193 KG
Catalog page information	Page 574 (PC-2011)

### Product notes

WEEE/RoHS-compliant since:  
01/31/2006



<http://www.download.phoenixcontact.com>  
Please note that the data given here has been taken from the online catalog. For comprehensive information and data, please refer to the user documentation. The General Terms and Conditions of Use apply to Internet downloads.

### Technical data

#### General data

Note	For contact inserts HC-D7, D8, A3, A4, B5, HS2-D7
Design	D7
Height	48 mm
Width	28 mm
Length	26.5 mm

Housing type	Sleeve housings
Locking type	for single locking latch
No. of cable exits	1
Cable exit	Lateral
Screw connection	None
Type of the screw connection	1x M20
Degree of protection for housing	IP54 / IP65 with sealing screw
Ambient temperature (operation)	-40 °C ... 125 °C
Housing material	Zinc die-cast
Housing surface material	Powder-coated, gray

### Certificates / Approvals

Certification GOST

Certifications applied for:

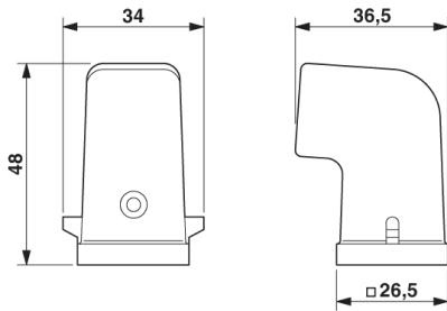
Certification Ex:

### Accessories

Item	Designation	Description
<b>General</b>		
1690626	HC-K-KV-M20(8-13)	Plastic screw connection up to 5 bar, thread length: 8 mm, cable diameter: 8 - 13 mm, WAF 24, screw connection: M20
1645998	HC-M-KV-M20(11-16)	Metal screw connection up to 5 bar, thread length: 6 mm, cable diameter: 11 - 16 mm, WAF 27, screw connection: M20
1584017	HC-M-KV-M20(1ASI)	Metal screw connection for an AS-Interface flat-ribbon conductor, thread type M20
1690561	HC-M-KV-M20(9-13)	Metal screw connection up to 5 bar, thread length: 6 mm, cable diameter: 9 - 13 mm, WAF 22, screw connection: M20

## Drawings

Dimensioned drawing



Connection data incl. use groups

---



**Address**

Phoenix Contact  
Rua Gino Cesaro  
BR-05038-140 Sao Paulo-SP / 169 - Água  
Branca,Brazil  
Phone +55/11/3871-6400  
Fax +55/11/3871-6401  
<http://www.phoenixcontact.com.br>



© 2012 Phoenix Contact  
Technical modifications reserved;