

MCR-PT100-I-DC

Order No.: 2810337



<http://eshop.phoenixcontact.de/phoenix/treeViewClick.do?UID=2810337>

MCR temperature transducer, for Pt 100 2, 3 or 4-wire system, input: 0...100°C, 0...150°C, 0...200°C, 0...300°C -50...+50°C, -50...100°C, -50...150°C, -50...250°C, output signal 0(4)...20 mA, auxiliary power electrically isolated



Commercial data	
Note	Made-to-order
sales group	H511
Pack	1 pcs.
Customs tariff	85437090
Catalog page information	Page 372 (IF-2009)

Product notes

WEEE/RoHS-compliant since:
06/22/2006



<http://www.download.phoenixcontact.com>
Please note that the data given here has been taken from the online catalog. For comprehensive information and data, please refer to the user documentation. The General Terms and Conditions of Use apply to Internet downloads.

Technical data

Input data	
Configurable/programmable	Yes
Sensor types (RTD) that can be used	Pt 100 (IEC 60751/EN 60751)
Sensor input current	Approx. 1 mA

Temperature measuring range	0 °C ... 300 °C (0 ... 100/150/200/300)
	-50 °C ... 250 °C (-50 ... 50/100/150/250)
Connection method	2, 3, 4-wire
	Pluggable screw connection

Output data

Output name	Current output
Current output signal	4 mA ... 20 mA
	0 mA ... 20 mA
Max. output current	30 mA
Output current with wire break	> 22 mA
Load/output load current output	≤ 500 Ω

Power supply

Supply voltage range	20 V DC ... 30 V DC
Max. current consumption	60 mA

Connection data

Connection method	Pluggable screw connection
Conductor cross section solid min.	0.2 mm ²
Conductor cross section solid max.	2.5 mm ²
Conductor cross section stranded min.	0.2 mm ²
Conductor cross section stranded max.	2.5 mm ²
Conductor cross section AWG/kcmil min.	24
Conductor cross section AWG/kcmil max	14
Stripping length	8 mm
Screw thread	M3

General data

Width	17.5 mm
Height	99 mm
Depth	114.5 mm
Maximum transmission error	≤ 0.4 % (of final value)
Maximum temperature coefficient	≤ 0.02 %/K
Limit frequency (3 dB)	30 Hz
Alignment zero	± 5 %
Alignment span	± 5 %

Step response (10-90%)	11 ms
Ambient temperature (operation)	-20 °C ... 65 °C
Degree of protection	IP20
Test voltage power supply/signal	750 V AC (50 Hz, 1 min.)
Color	green
Housing material	Polyamide PA non-reinforced
Mounting position	Any
Conformance	CE-compliant
UL, USA / Canada	UL 508 Recognized

Certificates / Approvals



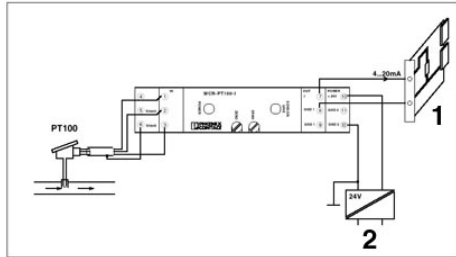
Certification CUL, GOST, UL

Configuration options

Connection systems	2-conductor [2] 3-conductor [3] 4-conductor [4]
Temperature range	-50...+50°C [TR01] -50...+100°C [TR02] -50...+150°C [TR03] -50...+250°C [TR04] 0...100°C [TR05] 0...150°C [TR06] 0...200°C [TR07] 0...300°C [TR08]
Output signal	0...20 mA [OUT01] 4...20 mA [OUT02]
Plant calibration certificate	No plant calibration certific. [NONE] Certificate without test data [YES] Certificate with test data [YESPLUS]

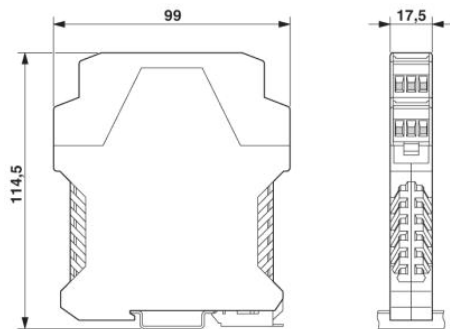
Diagrams/Drawings

Application drawing

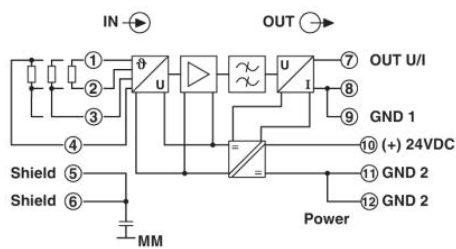


Application example: Temperature measurement with 3-wire system
 1 = control
 2 = mains voltage

Dimensioned drawing



Circuit diagram



Address

PHOENIX CONTACT Inc., USA
586 Fulling Mill Road
Middletown, PA 17057, USA
Phone (800) 888-7388
Fax (717) 944-1625
<http://www.phoenixcon.com>



© 2011 Phoenix Contact
Technical modifications reserved;