

# MCR-PT100-I-DC-NC

Order No.: 2810447


The illustration shows version MCR-PT100-I-DC



<http://eshop.phoenixcontact.de/phoenix/treeViewClick.do?UID=2810447>


Pt 100 temperature transducer, configurable via DIP switch, selection between 2, 3, 4-conductor technology; output signal 0(4)...20 mA, auxiliary voltage electrically isolated



Commercial data	
GTIN (EAN)	 4 017918 118297
sales group	H511
Pack	1 pcs.
Customs tariff	85437090

**Product notes**

WEEE/RoHS-compliant since:  
06/22/2006



<http://www.download.phoenixcontact.com>  
Please note that the data given here has been taken from the online catalog. For comprehensive information and data, please refer to the user documentation. The General Terms and Conditions of Use apply to Internet downloads.

## Certificates / Approvals

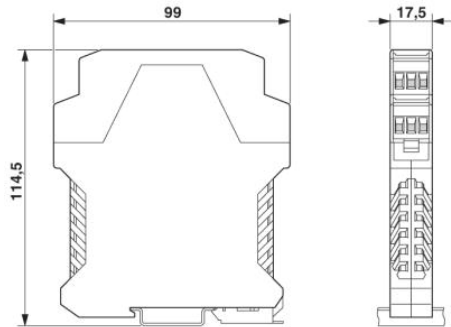


Certification

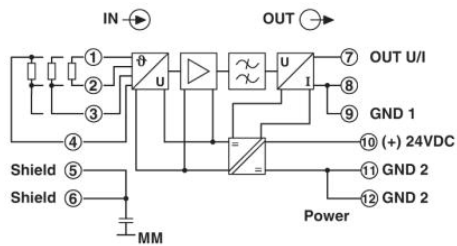
CUL, UL

## Diagrams/Drawings

### Dimensioned drawing



### Circuit diagram



**Address**

Phoenix Contact  
Rua Gino Cesaro  
BR-05038-140 Sao Paulo-SP / 169 - Água  
Branca,Brazil  
Phone +55/11/3871-6400  
Fax +55/11/3871-6401  
<http://www.phoenixcontact.com.br>



© 2011 Phoenix Contact  
Technical modifications reserved;